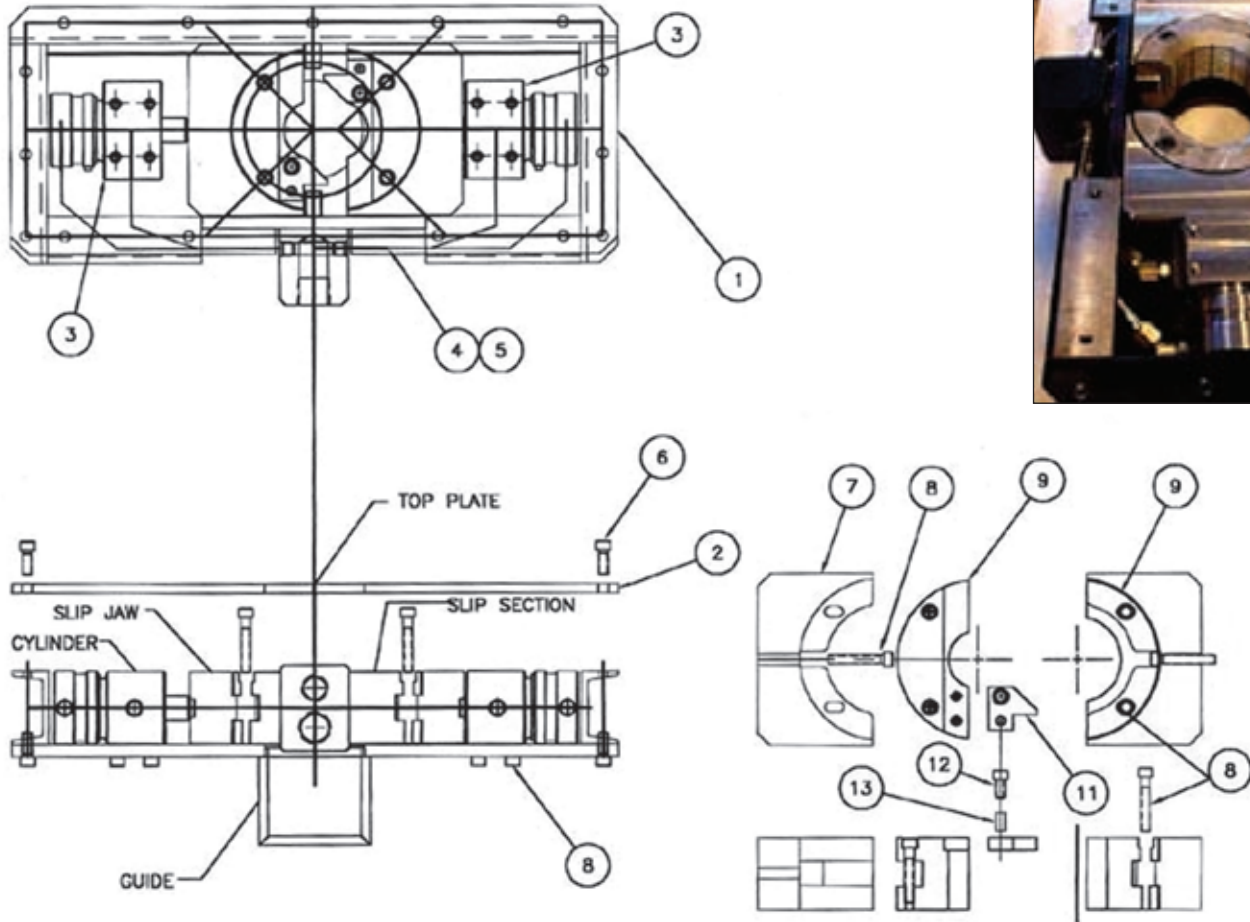
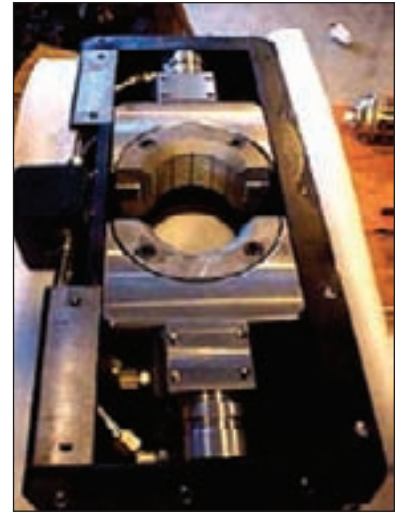


# AUTO SLIPS

NORTH HOUSTON MACHINE, INC. DEVELOPS AN AUTOMATIC SLIP FOR HOLDING ANY SIZE PIPE UP TO 4" AND DOWN TO 3/4"



## PARTS LIST FOR AUTOSLIP BASE

ITEM	DESCRIPTION	QTY	PART NUMBER
1	SLIP CASE ASSEMBLY	1	704-300
2	TOP PLATE	1	704-305
3	HYDRAULIC CYLINDER	2	704-200
4	HYDRAULIC LINE – EXTEND	2	704-311
5	HYDRAULIC LINE – RETRACT	2	704-312
6	SOCKET HEAD CAPSCREW – 3/8–24NF X 1.00 LONG	30	
7	SLIP JAW CARRIER	2	704-101
8	SOCKET HEAD CAPSCREW – 3/8–15NC X 2.25 LONG	4	
9	SLIPS FOR 3–1/2" AUGER	2	704-103
10	SLIPS FOR 2–3/8" PIPE	2	704-102
11	2–3/8 GUIDE PLATE	2	704-104
12	SOCKET HEAD CAPSCREW – 3/8–15NC X 1.00	2	
13	3/8" ROLL PIN X 3/4" LONG	2	