

# MODEL 4J-LP SWIVEL

## SPECIFICATIONS

STANDARD 20XV-04NHM PACKING AND 20XV-05NHM WEAR BUSHING PARALLEL GROUND FOR MAXIMUM LIFE

2-1/2" INSIDE DIAMETER

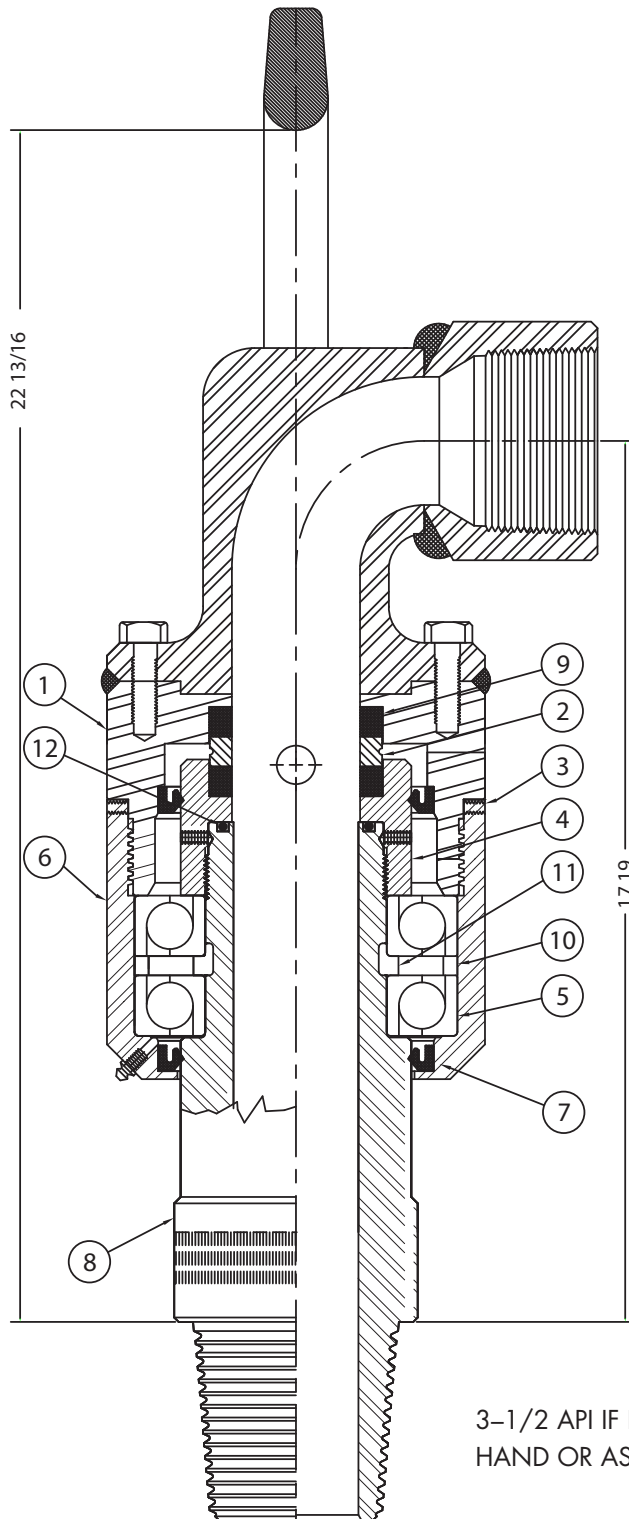
VITON PACKING SEALS AVAILABLE

CAPACITIES FOR 100 R.P.M. AT 3,000 HOURS

PULLDOWN CAPACITY	PULLBACK CAPACITY	WORKING PRESSURE	DIAMETER WATERCOURSE
16,000 LBS	16,000 LBS	375 P.S.I.	2 1/12

WEIGHT AND DIMENSIONAL DATA

LENGTH INCHES	WEIGHT POUNDS	LOWER CONNECTION	HOSE CONNECTION
22-13/16" S TO S	73 LBS W/BAIL	3-1/2 API IF LH OR RH	2 1/12 OR 3



PARTS LIST FOR MODEL 4J-LP			
ITEM	PART NO.	QTY	DESCRIPTION
1	141-004A	1	GOOSENECK
2	20XV-06NHM	1	WEAR BUSHING
3	SETSCREW	2	
4	140-006	1	PACKING NUT
5	130-112	2	BEARINGS
6	139-102R	1	BEARING HOUSING
7	139-110	2	GREASE SEAL
8	140-001CR	1	LOWER STEM
9	20XV-05NHM	2	PACKING RING
10	140-007AR	1	BEARING SPACER
11	140-007R	1	BEARING RETAINER
12	140-334	2	O-RING #334

**WEIGHT: 73 LBS**