

MODEL 3J-HP SWIVEL

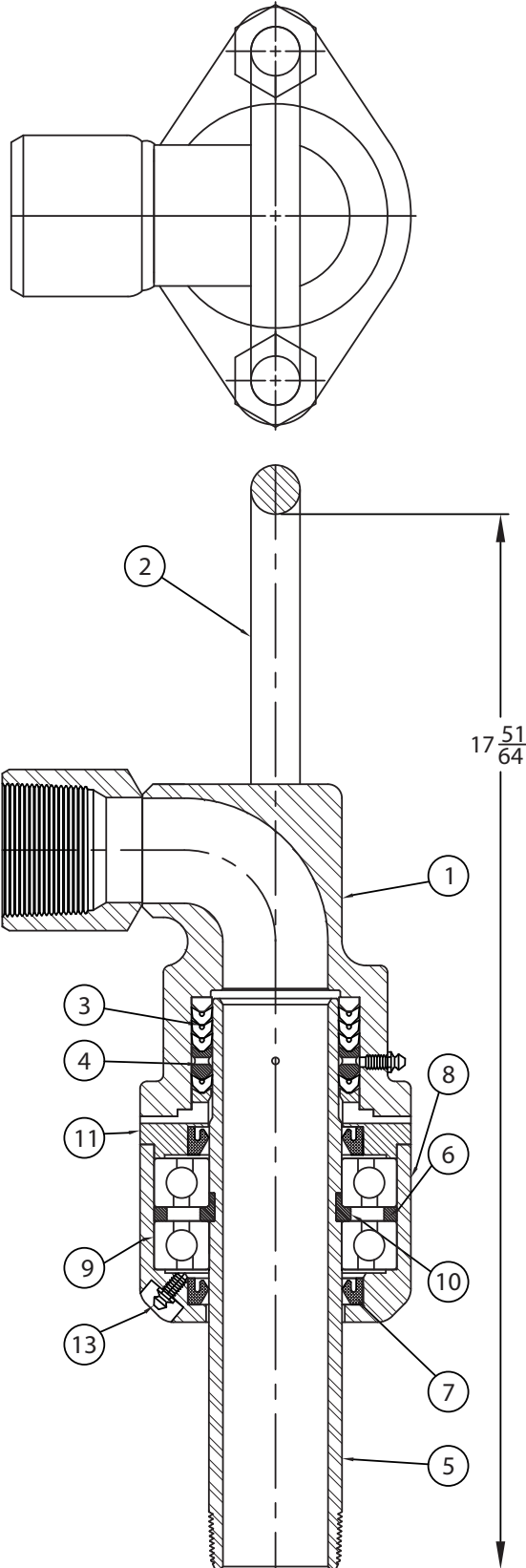
SPECIFICATIONS

CAPACITIES FOR 100 R.P.M. AT 3,000 HOURS

PULLDOWN CAPACITY	PULLBACK CAPACITY	WORKING PRESSURE	DIAMETER WATERCOURSE
8,638 LBS	8,638 LBS	3,000 P.S.I.	1.93

WEIGHT AND DIMENSIONAL DATA

LENGTH INCHES	WEIGHT POUNDS	LOWER CONNECTION	HOSE CONNECTION
13.5"	37 LBS W/BAIL	2" NPT LH OR RH	2 NPT



PARTS LIST FOR 3J-HP

ITEM	PART NO.	QTY	DESCRIPTION
1	3JHP-01	1	GOOSENECK
2	3J-02	1	BAIL W/NUT
3	3JHP-03	5	PACKING RING
4	3JHP-04	1	LANTERN RING
5	3JHP-05	1	SPINDLE
6	3J-06	1	BEARING SPACER
7	3JHP-07	1	HOUSING SEAL
8	3J-08	2	BEARING HOUSING
9	3J-09	2	BEARING
10	3J-10	1	BEARING RETAINER
11	3JHP-11	1	PACKING RETAINER
12	3J-02A	2	STUD W/NUTS (NOT SHOWN)
13	105-009	2	GREASE FITTING

SEALS ARE NATIONAL OIL SEALS

STANDARD CONNECTIONS ARE 2 NPT GOOSENECK AND LOWER CONNECTION

THREAD TO ORDER LEFT HAND OR RIGHT HAND