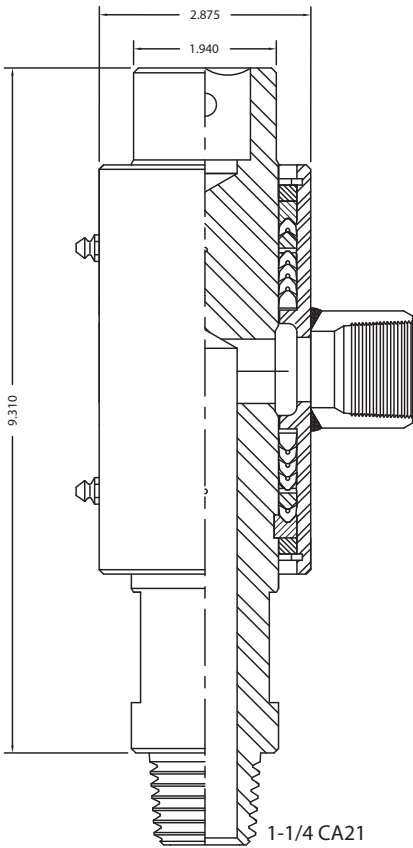


# ECONOMY SWIVELS

## M-30

### THE ECONOMY SWIVEL



SIMPLIFIED DESIGN TO REDUCE COST AND HAVE AN IMPROVED DESIGN SIDE INLET SWIVEL.

SHORT AND LIGHTWEIGHT IN DESIGN, THE HOUSING IS 5-1/2 INCHES LONG AND THE ASSEMBLY WEIGHS ONLY 7-3/4 LBS WITH CA21 TOOL JOINTS CONNECTION.

CHEVRON TYPE PACKING

STANDARD WATERCOURSE 1-3/16"

STANDARD WORKING PRESSURE 750 P.S.I.

**WEIGHT:** 7-3/4 LBS

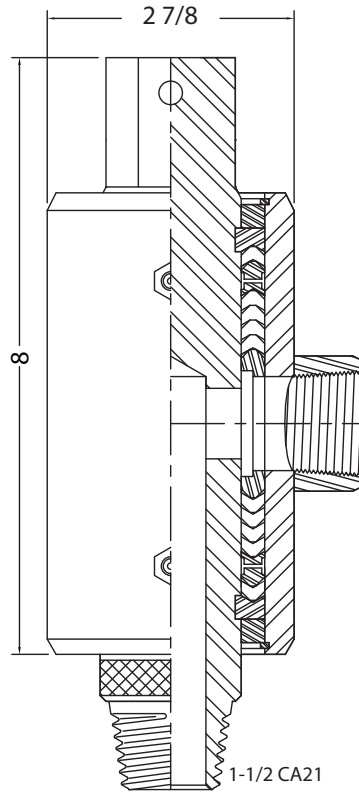
## M-40

### THE ECONOMY SWIVEL

#### DESIGNED

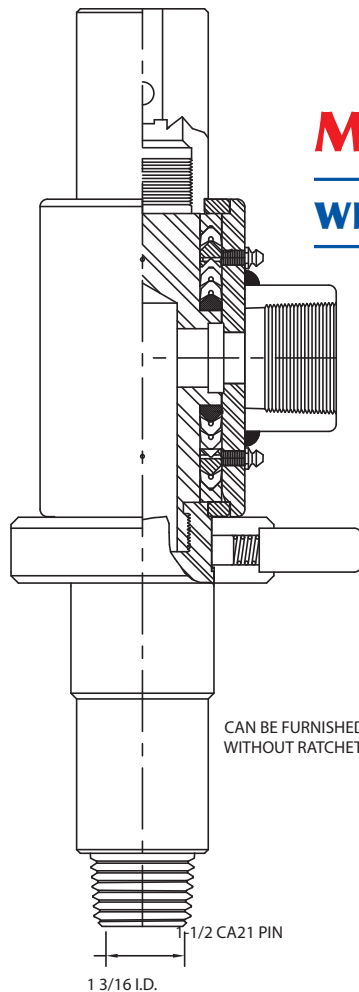
- AUGER DRILLING
- HEAT PUMP DRILLING
- SOIL SAMPLING
- MONITOR WELL DRILLING
- SHOT HOLES
- TEST HOLES
- WATER WELLS

**WEIGHT:** 12-1/2 LBS



## M-50 SWIVEL

### WITH RATCHET BREAKOUT



**WEIGHT:** 27 LBS