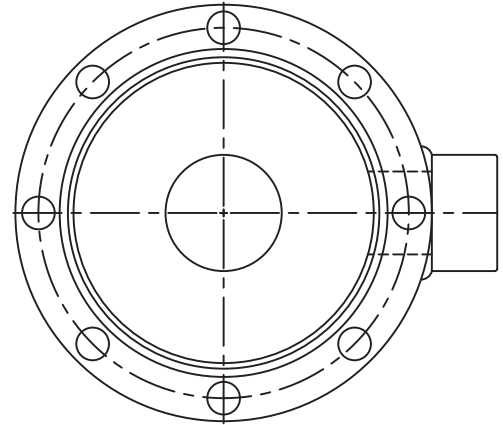
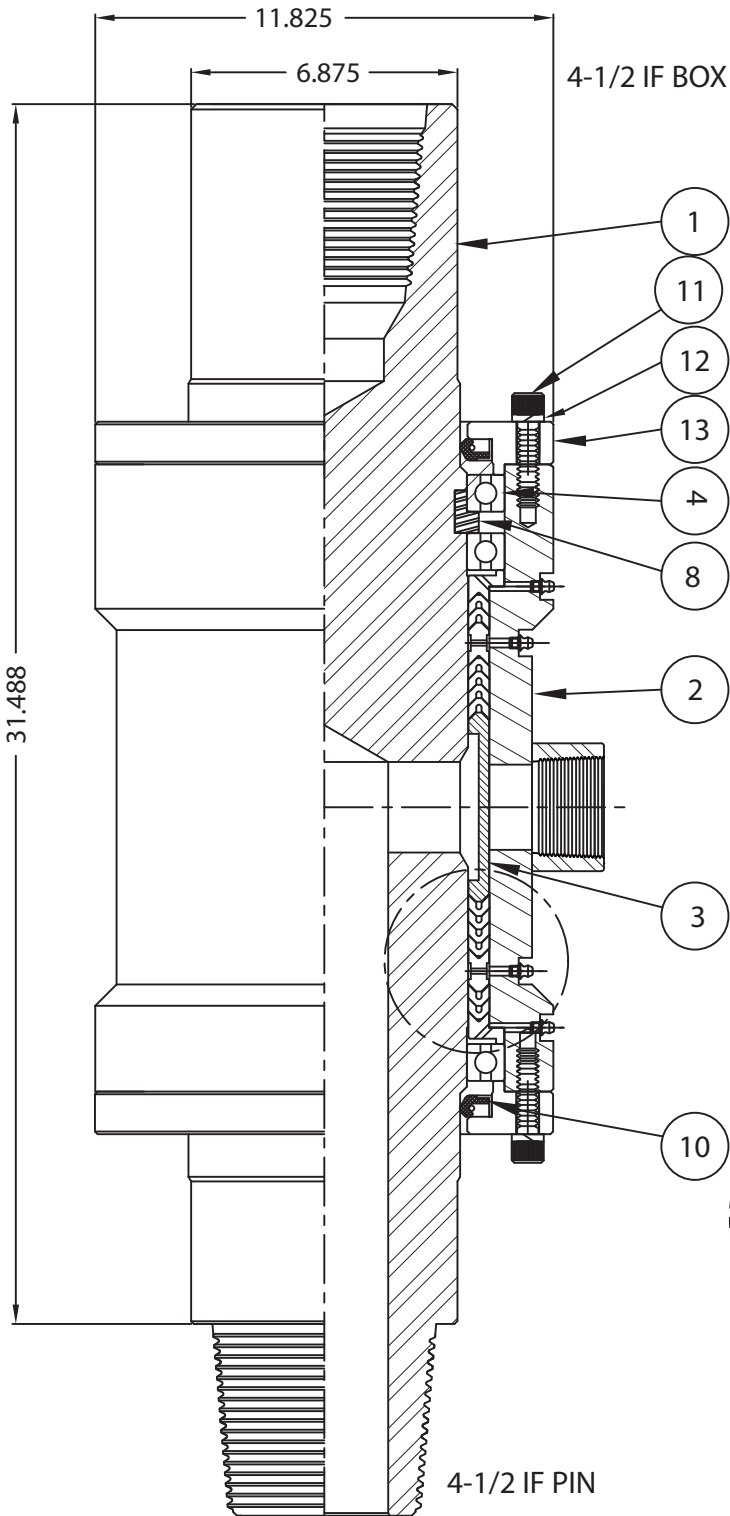


# MK-VI SI SWIVEL



PART LIST FOR MK-6 SWIVEL			
ITEM	PART NO.	QTY	DESCRIPTION
1	600-001	1	SPINDLE
2	600-002	1	BEARING HOUSE
3	600-003	1	FLOW TUBE
4	115-61834	3	BEARING
5	115-005	2	PACKING BACKUP RING
6	115-006	2	GREASE RING
7	115-020	12	PACKING RING
8	115-008	1	BEARING RETAINER
9	105-009	4	GREASE FITTING
10	115-417563	2	GREASE SEAL
11	SHCS8-16	16	CAP SCREW
12	PART NO.	16	LOCKWASHER 1/2"
13	115-002	1	END CAP

