

# MODEL 300 INLINE SWIVEL WITH SIDE INLET

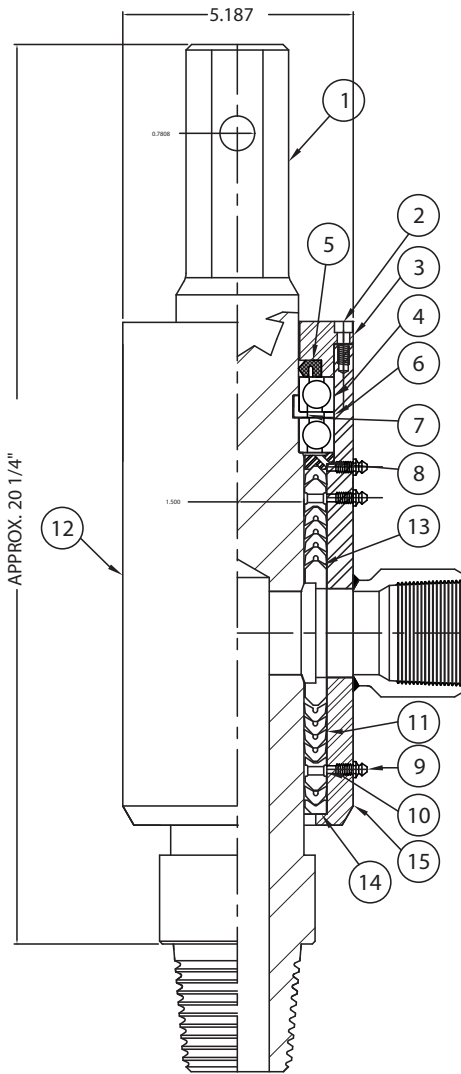
THE 300 INLINE SWIVEL IS A SIMPLIFIED DESIGN THAT HAS ELIMINATED SHAFT RUNOUT, EXTENDING THE PACKING LIFE AND MAKING REPACKING EASIER WITH THE ADVANTAGES OF LESS DOWN TIME AND A LOWER COST.

## DESIGNED FOR:

- AUGER DRILLING
- HEAT PUMP DRILLING
- SOIL SAMPLING
- MONITOR WELL DRILLING
- SHOT HOLES
- TEST HOLES
- WATER WELLS

2" NPT  
1-1/2 WATER, AIR, AND MUD

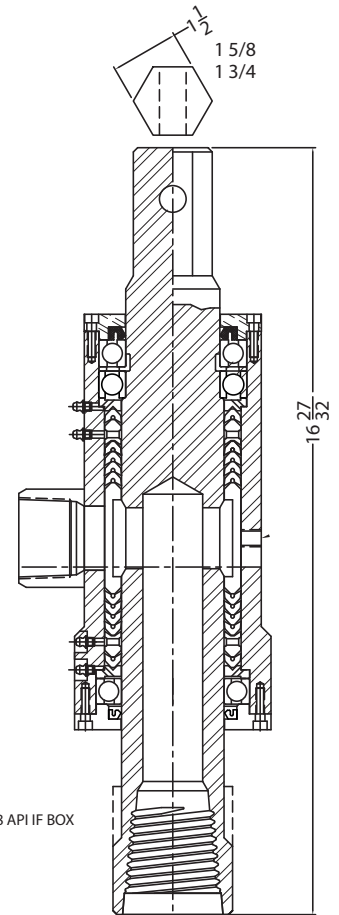
DRILLING HIGH PRESSURE  
CHEVRON PACKING



APPROX. 20 1/4"

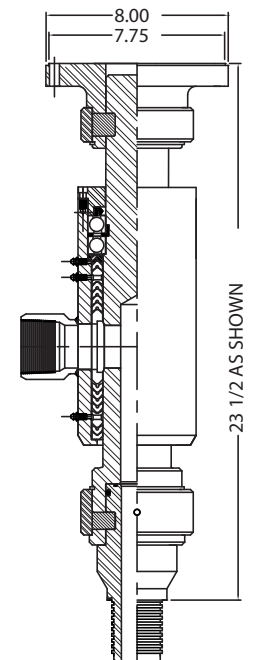
### NOTE:

WEDGELOCK CONNECTIONS COVERED BY N.H.M., INC. U.S. AND FOREIGN PATENT NO. 5,409,324; 5,588,772; 187552; AND PATENT PENDING



2-3/8 API IF BOX

DOUBLE BEARING TYPE



2-3/4 WEDGELOCK X  
ANY TOOL JOINT CONNECTION

## PART LIST FOR 300-IL

ITEM	PART NO.	QTY	DESCRIPTION
1	112-001	1	SPINDLE
2	112-002	6	CAP SCREW
3	112-003	1	RETAINER CAP
4	112-004	2	BEARING
5	112-005	1	GREASE SEAL
6	112-006	1	BEARING SPACER
7	112-007	1	BEARING RETAINER
8	112-008	1	BACKUP RING
9	112-009	2	GREASE FITTING
10	112-010	2	GREASE RING
11	112-011	10	PACKING RING
12	112-012	1	FLOW TUBE RETAINER
13	112-013	1	FLOW TUBE
14	112-014	1	LOWER ALIGNMENT RING
15	112-015	1	SWIVEL HOUSING