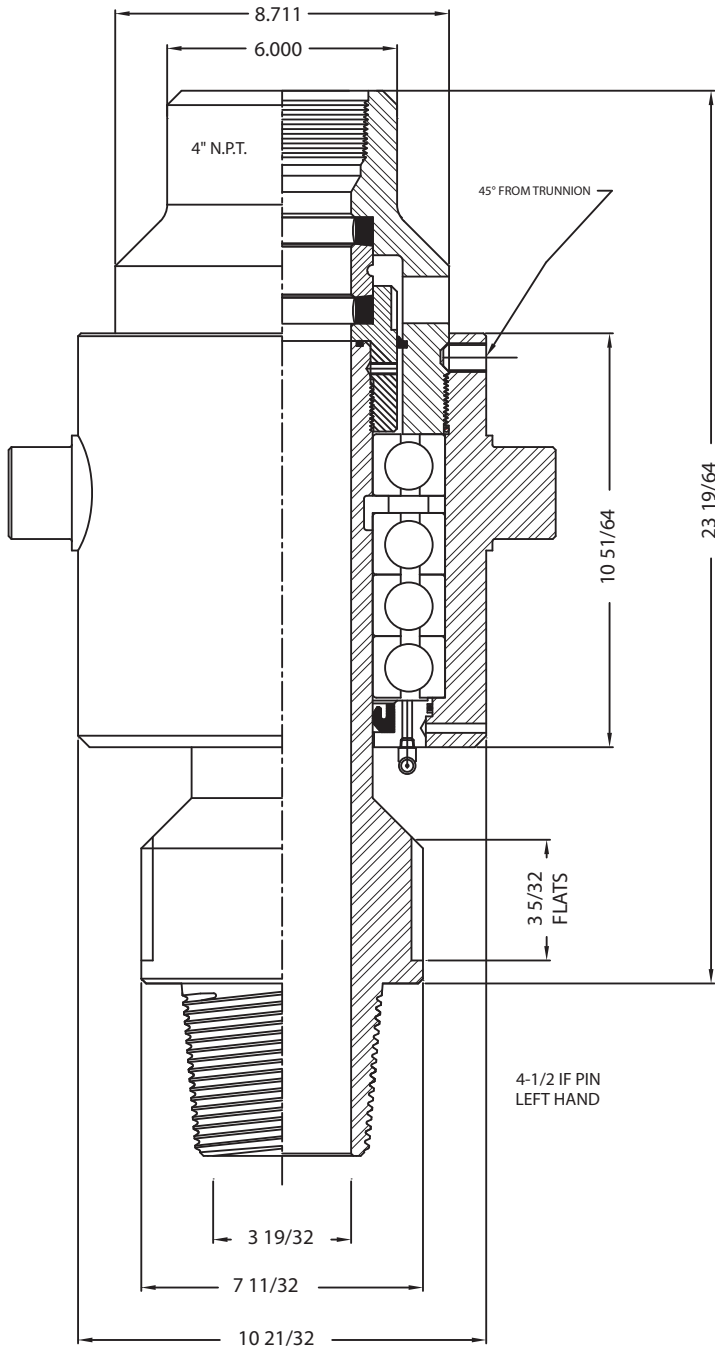


MODEL 30XV-LP SWIVEL

SPECIFICATIONS

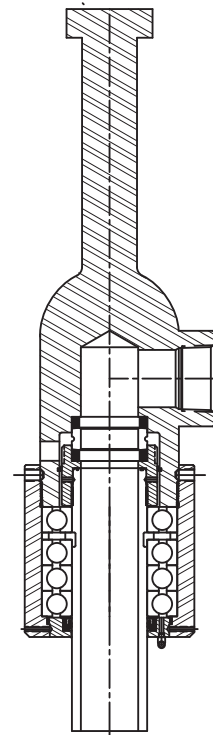
44,000 PULL BACK
20,365 PULL DOWN
AT 100 R.P.M. AT 3,000 HOURS

375 P.S.I. WORKING PRESSURE
3" WATER COURSE
USES 30 XVNHM PACKING AND WEAR BUSHING

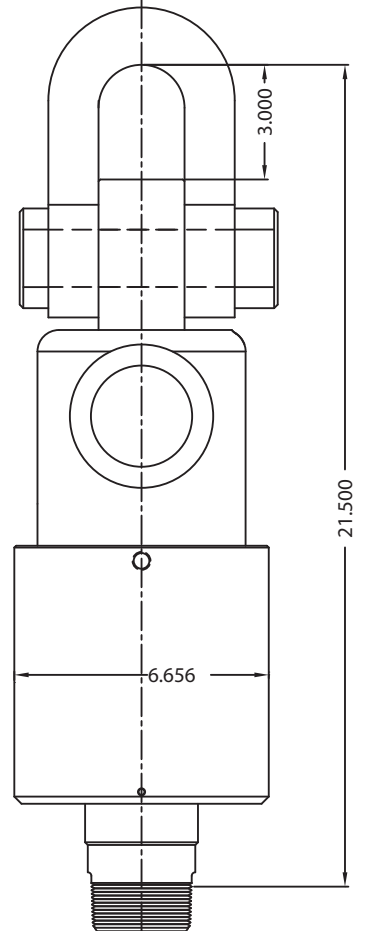


WITH TRUNNION PINS

WITH ELEVATOR SHANK



WITH CLEVIS



3" NPT LEFT OR TO ORDER