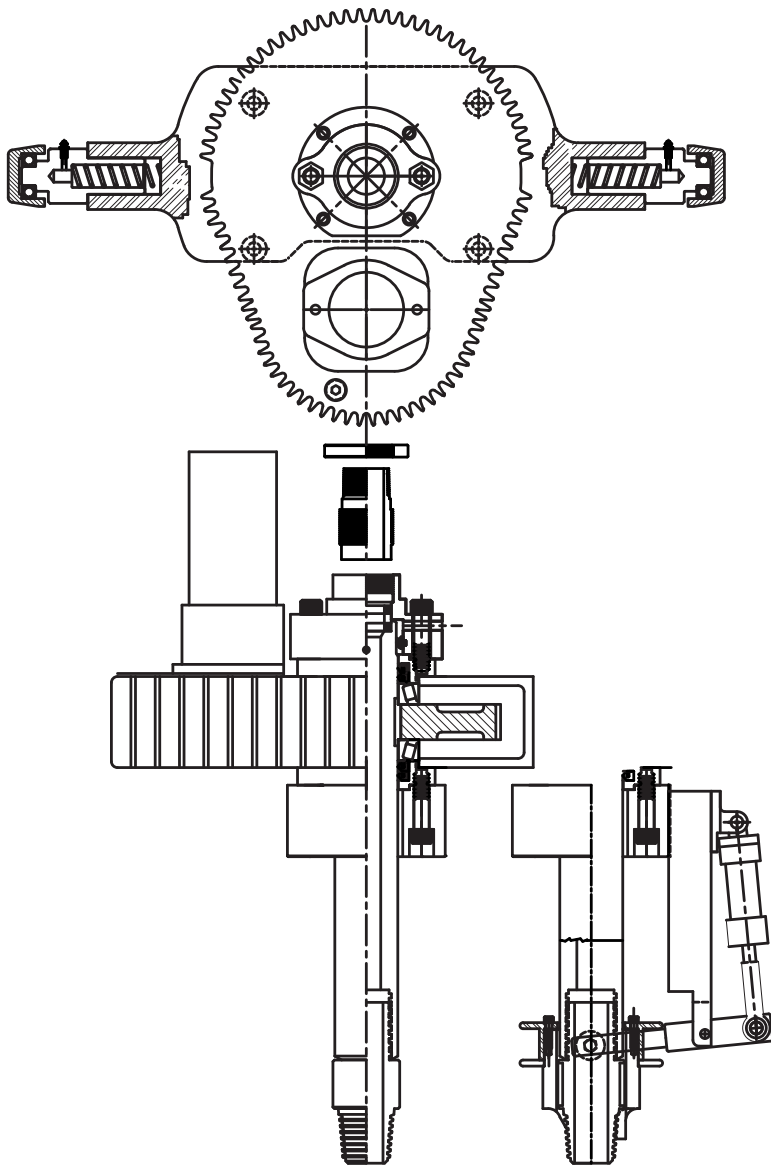


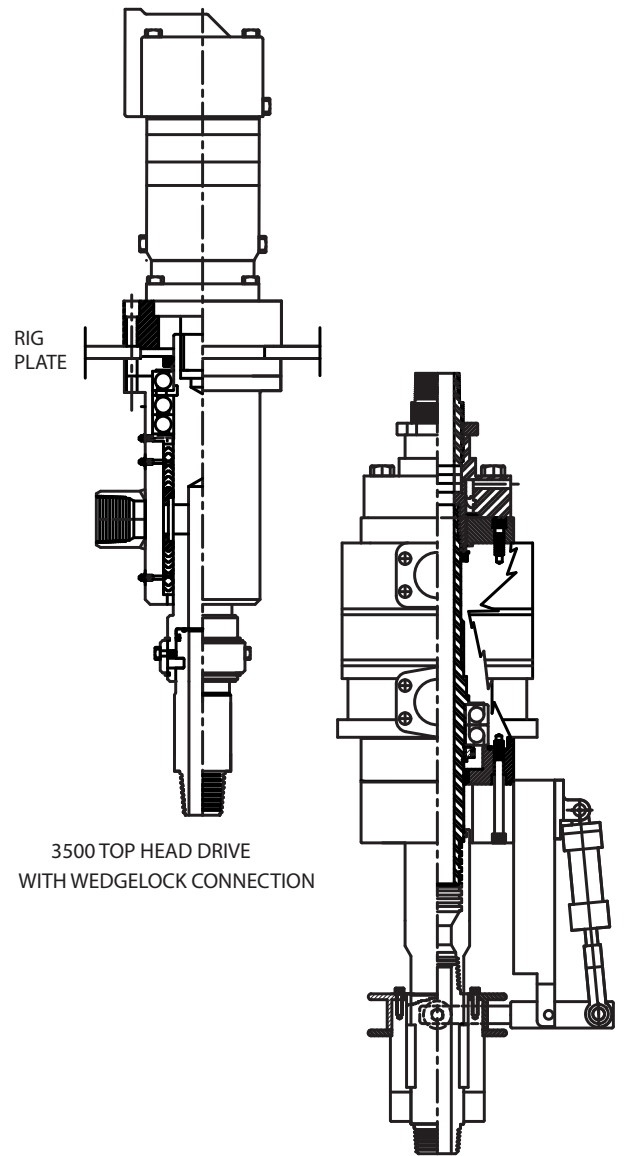
MANANCE

1,500NHM TOP HEAD DRIVE



SIMPLIFIED DESIGN TO ADAPT TO SMALL HYDRAULIC RIGS,
OFFERS AN ECONOMICAL WAY TO INSTALL A TOP HEAD DRIVE

10,000 CHAR LYNN HYDRAULIC MOTOR



3500 TOP HEAD DRIVE
WITH WEDGELOCK CONNECTION

MODEL 4000 HYDRAULIC
WITH AUTO BREAKOUT

NOTE:
WEDGELOCK CONNECTIONS COVERED BY N.H.M.,
INC. U.S. PATENT NO. 5,409,324 AND 5,588,772
AND PATENT PENDING.